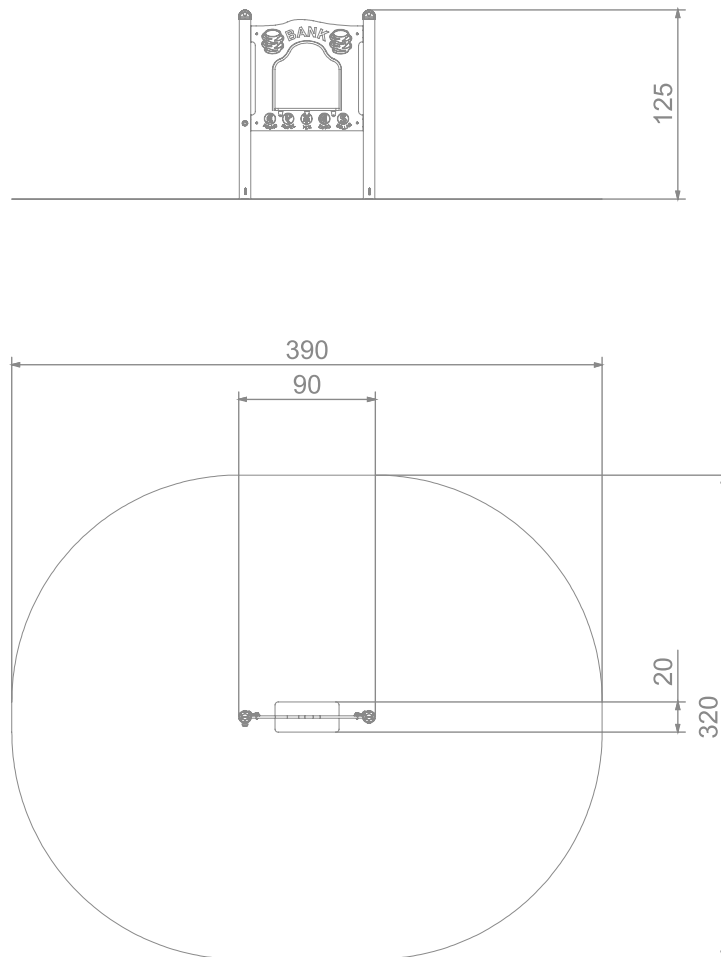


#### INFORMATION ABOUT THE PRODUCT

Dimensions	20 x 90 cm
Safety zone	320 x 390 cm
Safety zone area	11 m <sup>2</sup>
Overall height	125 cm
Free fall height	
Amount of users	2
Product complies with EN 1176-1:2017	YES
Availability of spare parts	YES
Age range	1-7
<small>According to EN 1176-1:2017 norm, the product requires applying a safety surface according to the product's free fall height.</small>	



# 4127



SCALE 1:50

### MATERIALS:

SOLID CONSTRUCTION  
MADE OF STAINLESS STEEL  
AISI 304 TOTALLY RESISTANT  
TO WEATHER CONDITIONS



PLATES OF THE WALLS MADE  
OF COLORFUL TRIPLE  
LAYERED 15 MM HDPE  
POLYETHYLENE



SAFE PIPE PLUGS MADE OF  
INJECTION MOLDED  
POLYAMIDE



PLATE AND ROPE  
CONNECTORS MADE OF  
INJECTION MOLDED  
POLYAMIDE

